



Simplicity Bubblers
Chilled Beverage Dispensers 2x18 L,
agitator model with locking lid and UK
plug

ITEM # _____

MODEL # _____

NAME # _____

SIS # _____

AIA # _____



CCCRKX (ECS2D22UK) * NOT TRANSLATED *

Main Features

- Agitation function for fresh juices, coffees, or teas with minimal foaming system.
- Easy-off bowl release system for faster and easier assembly and disassembly.
- User friendly design enables machine to dispense product till the very last drop.
- Two flavors dispensed with 18 L easy-clean bowls with 23 cm cup clearance.

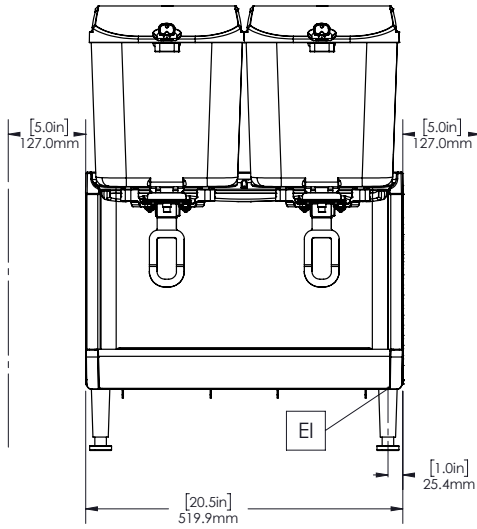
Construction

- Temperature range from 1.7 - 5° C.
- Compact size of 52 cm wide saves valuable counter space.
- Refrigerant type: R290.
- Pre-mix dispenser with stainless steel base and clear plastic bowls.
- Fewer removable parts to simplify cleaning and reduce maintenance.
- The air intakes from the bottom and exhaust to back.
- Locking lid for added safety against tampering.

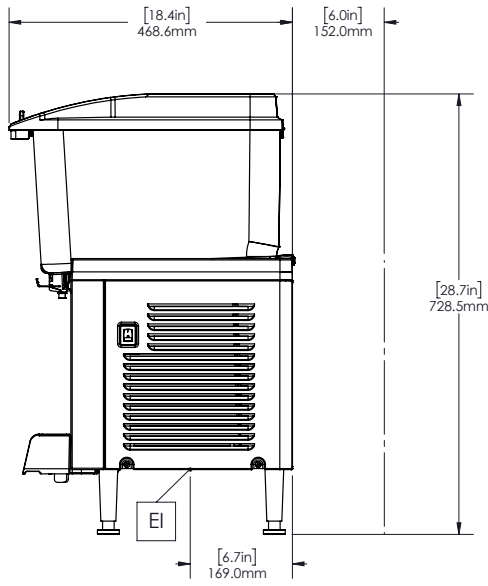
APPROVAL: _____



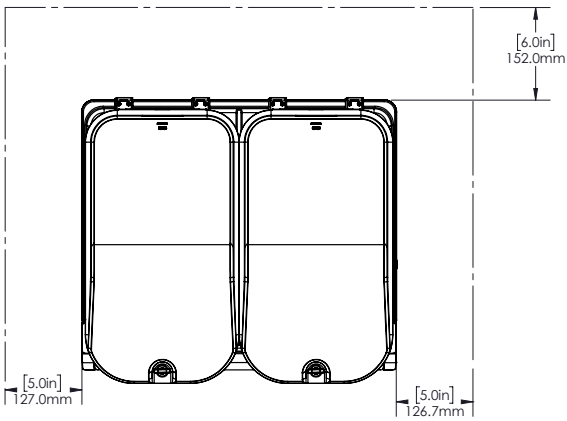
Front



Side



Top



Electric

| | |
|------------------------|--------------------------|
| Supply voltage: | 220-240 V/1N ph/50/60 Hz |
| Electrical power max.: | 0.6 kW |

Key Information:

| | |
|------------------|--------|
| Net weight: | 32 kg |
| Shipping weight: | 37 kg |
| Shipping height: | 650 mm |
| Shipping width: | 500 mm |
| Shipping depth: | 650 mm |

Sustainability

| | |
|---------------------|------|
| Refrigerant type: | R290 |
| Refrigerant weight: | 85 g |